



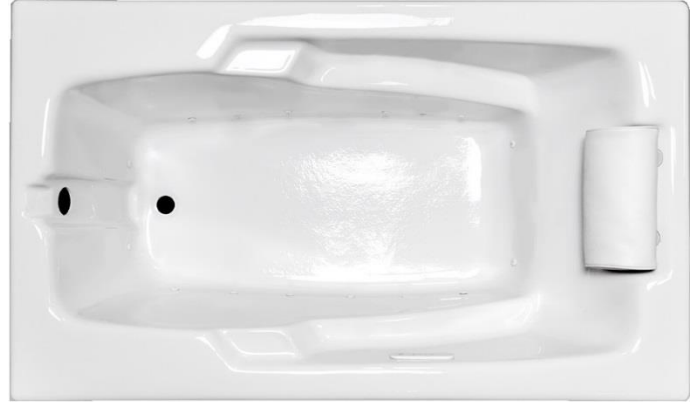
# MERCER II

## 60" x 36" Drop-In Acrylic Air Bath

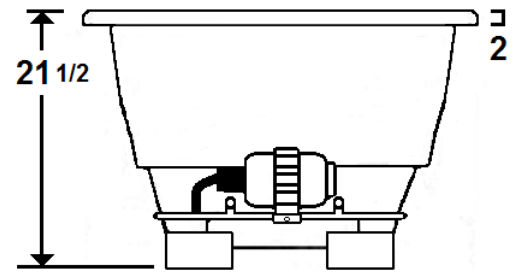
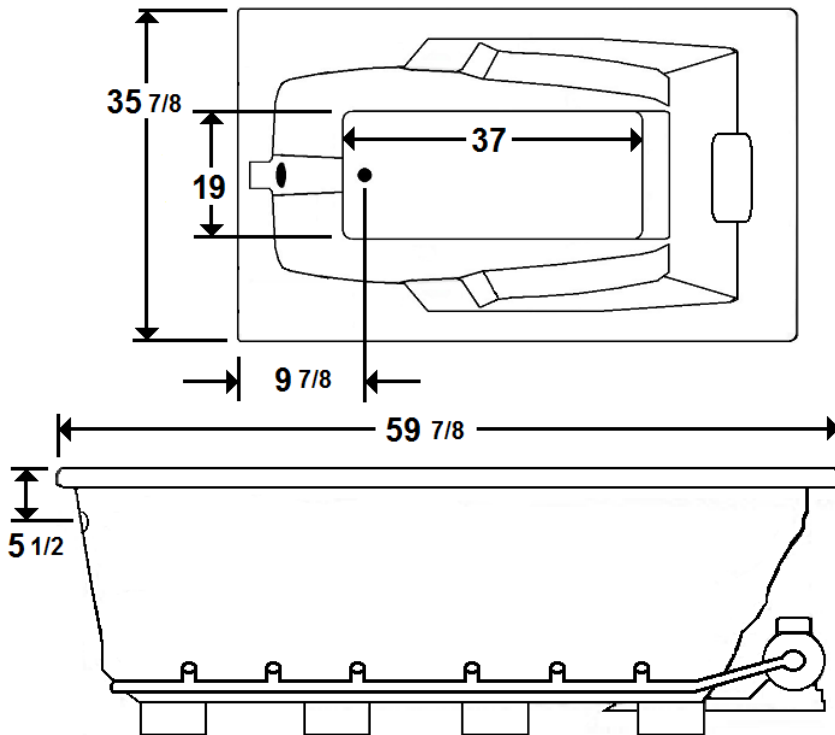
Model Number  
**3660MTA064**  
Drop-In Air Bath in White

### Features

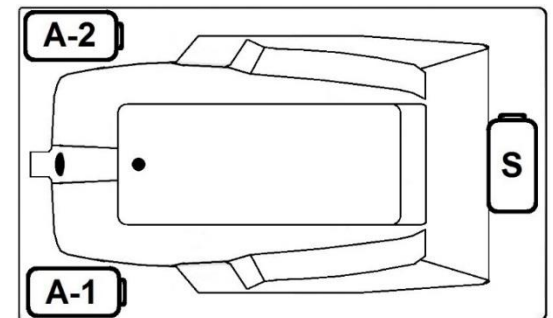
- 24 high output lateral air jets
- Color-matched jet trim
- 12 Amp variable speed blower
- Pillow included
- Constructed of high-gloss durable acrylic
- Automatic purge cycle with timer
- Heaters available – LM305
- Mood light available – LM522
- Pre-leveled base for easy installation
- Can be installed as an undermount
- Made in the USA



**\*All dimensions are +/- 1/2" and subject to change without notice\***  
**Confirm specifications before installation**



Standard (S) Pump Location and Alternate (A-1 & A-2) Pump locations.



### Technical Information

- Cut-Out Dimensions: 57 7/8" x 33 7/8"
- Weight: 135 lbs.
- Water Depth to Overflow: 15"
- Water Operating Level: NA
- Water Capacity: 58 gal.
- Sump Dimension: 37" x 19"

### Electrical Requirements.

- Standard Blower: 12 Amps
- (Optional) LM305 Heater: 12.5 Amps
- Dedicated GFCI's required for each option

# MERCER II

**3660MTA064**  
Drop-In Air Bath in White

## Air Bath

Thousands of warm air bubbles provide an invigorating and yet relaxing, light, full body massage. The warm air movement increases blood circulation, soothes muscles and produces a feeling of well-being.

Laurel Mountain enables you to enhance your bathing experience by offering a broad range of options to customize your bath. The options available on this bath are shown below.

## AVAILABLE OPTIONS & UPGRADES

For Pricing, visit the “Help” page at [www.laurelmountainwhirlpools.com](http://www.laurelmountainwhirlpools.com). Download the Price book. For pictures and descriptions of options, go to [www.laurelmountainwhirlpools.com](http://www.laurelmountainwhirlpools.com) and click “options” tab found at the bottom of the website.

### Therapeutic

**LM305 12.5 Amp Water Heater (120V)**

**LM522 Chromatherapy Mood Light**

### Accessories

#### **8” GRAB BARS**

LM230 White

LM231 Biscuit

#### **CABLE OPERATED DRAINS**

LM200 Chrome

LM201 Brushed Nickel

LM202 Bronze

LM210 White

LM211 Biscuit

### Design / Construction

**LM540 Tile Flange (RH)**

**LM541 Tile Flange (LH)**

**LM542 Plastic Flange**

**LM545 A-1 Pump Loc**

**LM546 A-2 Pump Loc**

**LM555 Skirt (RH drain)**

**LM556 Skirt (LH drain)**

## INSTALLATION

Install this unit according to the Owner’s Manual. The Owner’s manual can be found by visiting the “Help” page at [www.laurelmountainwhirlpools.com](http://www.laurelmountainwhirlpools.com). Select “Installation” on the right side of the page. Then click on the “Colony Owner’s Manual”.